

Section 6

Parts Lists

General

The information contained in this section is designed to aid the user in locating and identifying replacement parts. Component parts of various assemblies and sub-assemblies comprising the work platform are illustrated and accompanied by a descriptive parts list. Exploded drawings are used to show relative location of component parts in disassembly order. If a part cannot be found in this section, order by work platform model number and serial number, giving a complete description of the part.

Parts Ordering Information

When ordering replacement parts, the complete part number and description should be used to ensure proper identification and delivery of the desired item. This complete identification should also be used when requesting equipment information.

Method Of Listing

Parts are listed in order according to the reference number shown in the illustration, followed by a full description based upon the "NOUN FIRST" method. That is, the noun name of the part is listed first, then the modifying description information which serves to specifically identify the item. For example: PIN, Clevis. Assemblies or groups are shown at the beginning of a parts list and are identified with the letter references A, B, C, etc. Individual parts in these lists have corresponding letters after their description to identify which assembly or group it is used in. Individual parts without identifying

letters are used in all the assemblies or group shown at the beginning of the parts list. Descriptions preceded with an (•) indicates a serviceable component or attaching hardware for the higher level assembly.

Quantities (Units Per Assy.)

The quantities of each part that are required to complete the assembly. If quantity is (AR), it is understood that the quantity may vary when machine is equipped with certain options. Order quantity as needed.

Hardware

Standard screws, washers, nuts, etc. are not identified by a reference number. These parts are known as COMMON HARDWARE items and appear indented under the major items with which they are used. They should be ordered separately as listed, since they are not component parts of the pieces they attach to.

How To Order Repair Parts

1. Address all orders to your local SKYJACK dealer.
2. Specify model and serial number of the work platform (found on the serial number plate).
3. List the quantity needed.
4. List the length needed (if bulk item).
5. List the part number and description as shown in this manual for each item.
6. Show billing and shipping address and name of individual if possible.
7. Suggest best routing.

CUSTOMER _____

DEALER _____

MODEL NUMBER _____

SERIAL NUMBER _____

DATE PURCHASED _____

Use Only Skyjack Authorized Replacement Parts!

Table Of Contents

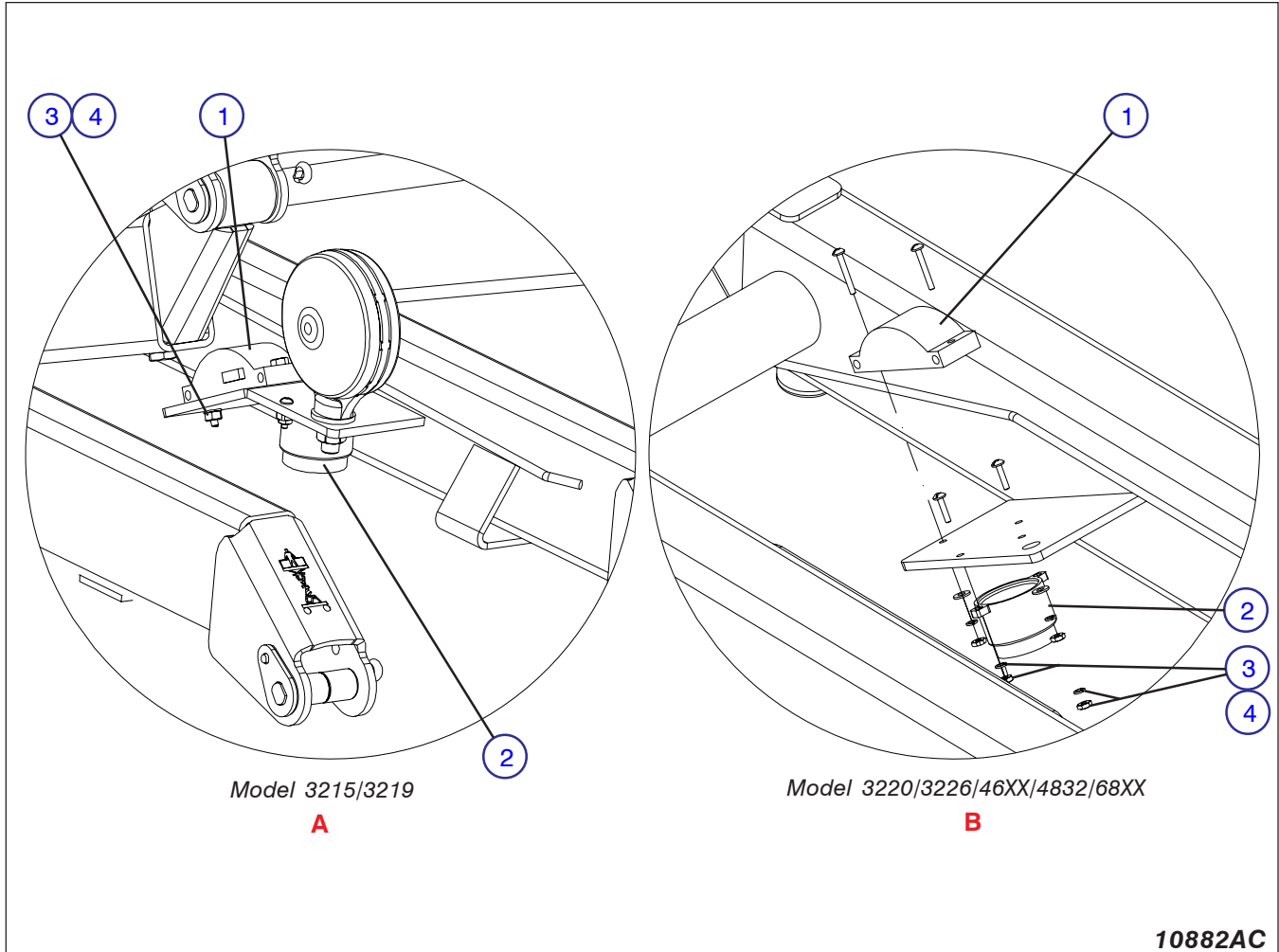
Scissors And Related Parts

Figure 6.1-1	Angle Transducer & Beeper/Light Assembly	5
Figure 6.1-2	Holding Valve Assembly	6

Base And Related Parts

Figure 6.2-1	Control Module Assembly	8
--------------	-------------------------------	---

Figure 6.1-1. Angle Transducer & Beeper/Light Assembly



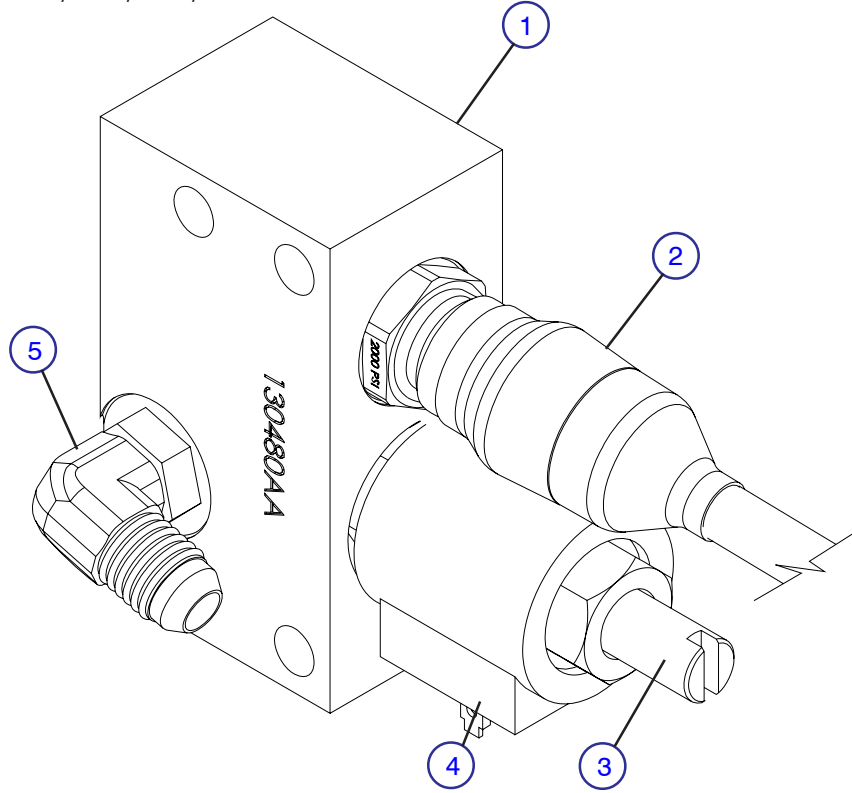
10882AC

Index No.	Skyjack Part No.	Qty.	Description
A	(Ref.)	-	Mounting assembly (Model 3215/3219)
B	(Ref.)	-	Mounting assembly (Model 3220/3226/46XX/4832/68XX)
1	130440	1	TRANSDUCER, Angle
	103961	2	• SCREW, Round head machine 10-24 x 1.25", A
	122498	2	• SCREW, Round head machine 10-32 x 1.25", B
	104694	2	• WASHER, Flat #10
	103987	2	• NUT, Hex head 10-24, A
2	117967	1	BEEPER, Alarm 28 V
	104698	2	• SCREW, Round Hd #10-32 x 3/4"
3	104185	4	WASHER, Lock #10, B
4	104003	4	NUT, Hex #10-32

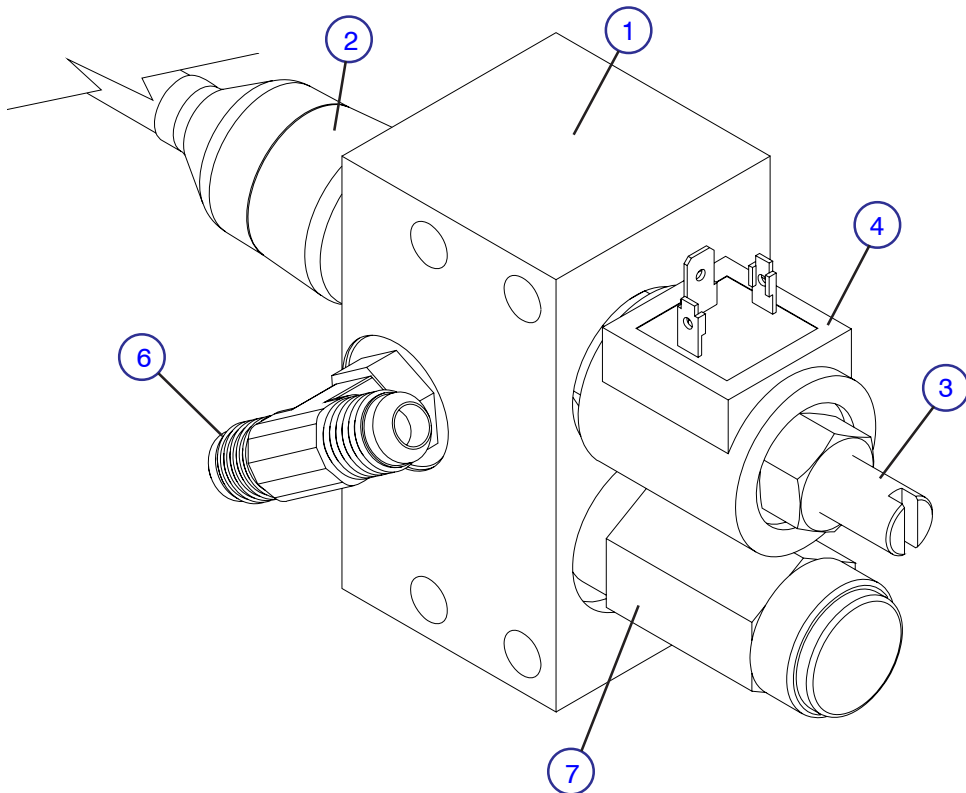
Refer to Section 6 of the Maintenance & Parts Manual for all other components.

Figure 6.1-2. Holding Valve Assembly

Model 3215/3219/3220/4620



Model 3226/4626/4632/68XX



10952AB

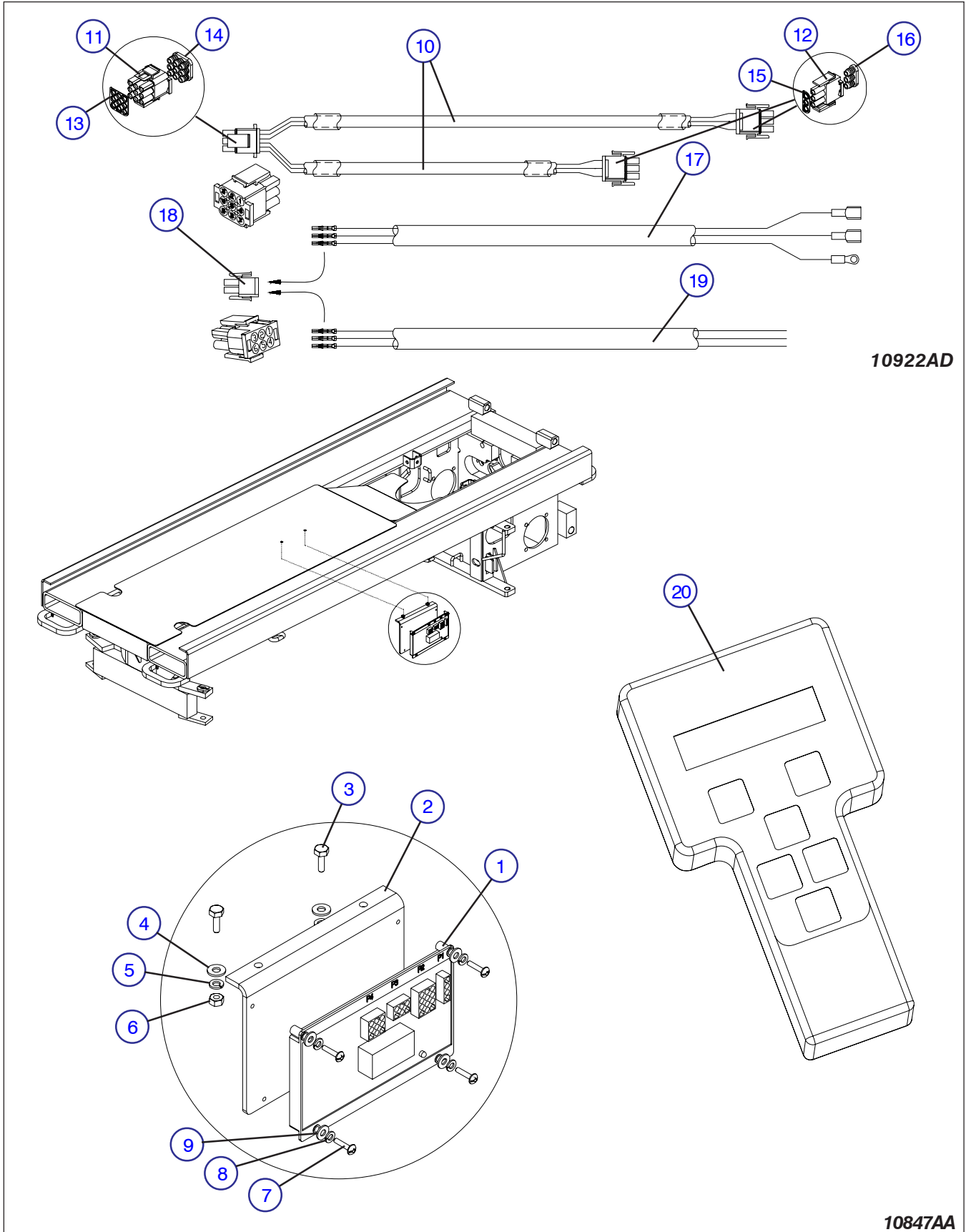
Figure 6.1-2. Holding Valve Assembly

AB

Index No.	Skyjack Part No.	Qty.	Description	
1	130480	1	BLOCKASSEMBLY, Manifold (Model 3215/3219/3220/4620)	
	130481	1	• BLOCK, Manifold	
	108052	1	• PLUG, Expander	
	103996	4	• WASHER, Flat (0.312)	
	104637	4	• WASHER, Lock (5/16" high collar 0.09)	
	103931	4	• BOLT, Socket (0.312-18 x 2 Grade 5)	
	130443	1	BLOCKASSEMBLY, Manifold (Model 3226/4626/4632/68XX)	
	130442	1	• BLOCK, Manifold	
	108052	2	• PLUG, Expander	
	103996	4	• WASHER, Flat (0.312)	
	104637	4	• WASHER, Lock (5/16" high collar 0.09)	
	108429	4	• BOLT, Socket (0.312-18 x 2.5 Grade 5)	
	2	134431	1	TRANSDUCER, Pressure 2000 psi (Model 3215/3220/4626/4832)
		134432	1	TRANSDUCER, Pressure 3000 psi (Model 3219/4620/68XX)
134543		1	TRANSDUCER, Pressure 1250 psi (Model 3226)	
3	107269	1	VALVE, Lift Cylinder Holding	
4	104493	1	COIL, 24 V (3-prong)	
5	114578	1	FITTING, Elbow 90 deg	
6	114579	1	FITTING, Tee	
7	106557	1	VALVE, Relief	

Refer to Section 6 of the Maintenance & Parts Manual for all other components.

Figure 6.2-1. Control Module Assembly



10922AD

10847AA

Figure 6.2-1. Control Module Assembly

Index No.	Skyjack Part No.	Qty.	Description
1	130439	1	MODULE, Load sensing control
2	130468	1	BRACKET, Control Module
3	103856	2	BOLT, Hex Hd 1/4"-20 x 3/4" Gr. 5 (Model 3220/3226 only)
4	103995	2	WASHER, Flat 1/4"
5	104000	2	WASHER, Lock 1/4"
6	103980	2	NUT, Hex 1/4"-20 Gr. 5
7	105621	4	SCREW, Rnd Hd Machine #10-32 x 1.00"
8	104185	4	WASHER, Lock #10
9	104964	4	WASHER, Flat #10
10	134436	1	HARNESS, Control Module to Transducers (Model 3215/3219)
	134437	1	HARNESS, Control Module to Transducers (All except Model 3215/3219)
	103257	AR	• CABTIRE, Cable 18/3
	116990	12	• PIN, Female Wire
11	116993	1	• HOUSING, Male 9-Pole Plug
12	130446	2	• PLUG, Male 3-Pole
13	134069	1	• SEAL, 9 position interface
14	134070	1	• SEAL, 9 position wire
15	134067	1	• SEAL, 3 position interface
16	134068	1	• SEAL, 3 position wire
17	130779	1	HARNESS, Beeper & Light (Model 3215/3219)
	130776	1	HARNESS, Beeper & Light (All except Model 3215/3219)
	103257	AR	• CABTIRE, Cable 18/3
	116990	3	• PIN, Female Wire
18	130445	1	HOUSING, Male 6-Pole Plug
19	130671	1	HARNESS, Electric panel
20	130477	1	KIT, Hand Held Calibration/Diagnostic Tool
	130441	1	• TOOL, Hand Held Calibration/Diagnostic
	130457	1	• CABLE, Computer Cable 24 Gauge
	130448	1	• PLUG, Male 4-Pole
	130451	1	• PLUG, Male 4-Pole (Enclosed Version)

Refer to Section 6 of the Maintenance & Parts Manual for all other components.